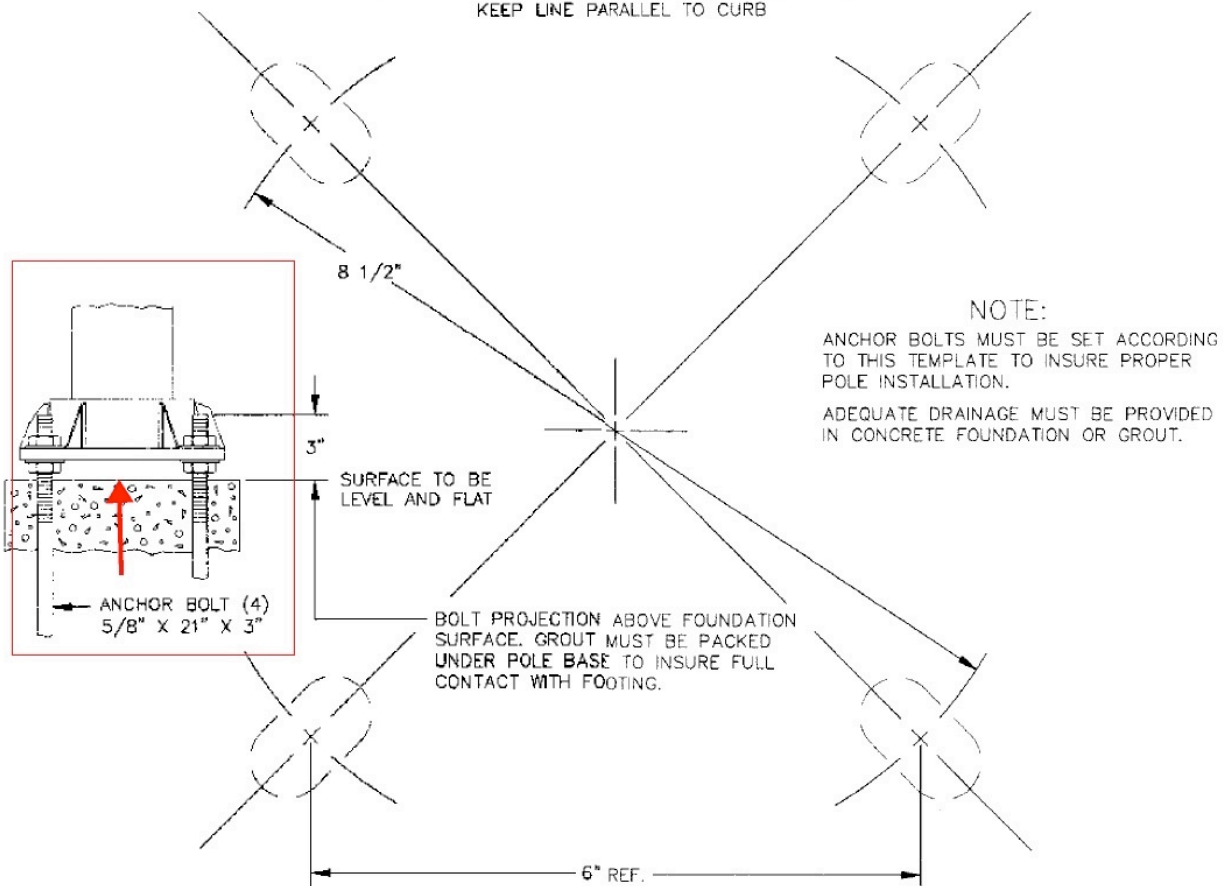


SeaSonde Receive and T/R Antenna Anchoring

LIGHTING STANDARD ANCHOR BOLT TEMPLATE FOR RTF SERIES-5.6" ROUND TAPERED FIBERGLASS POLES

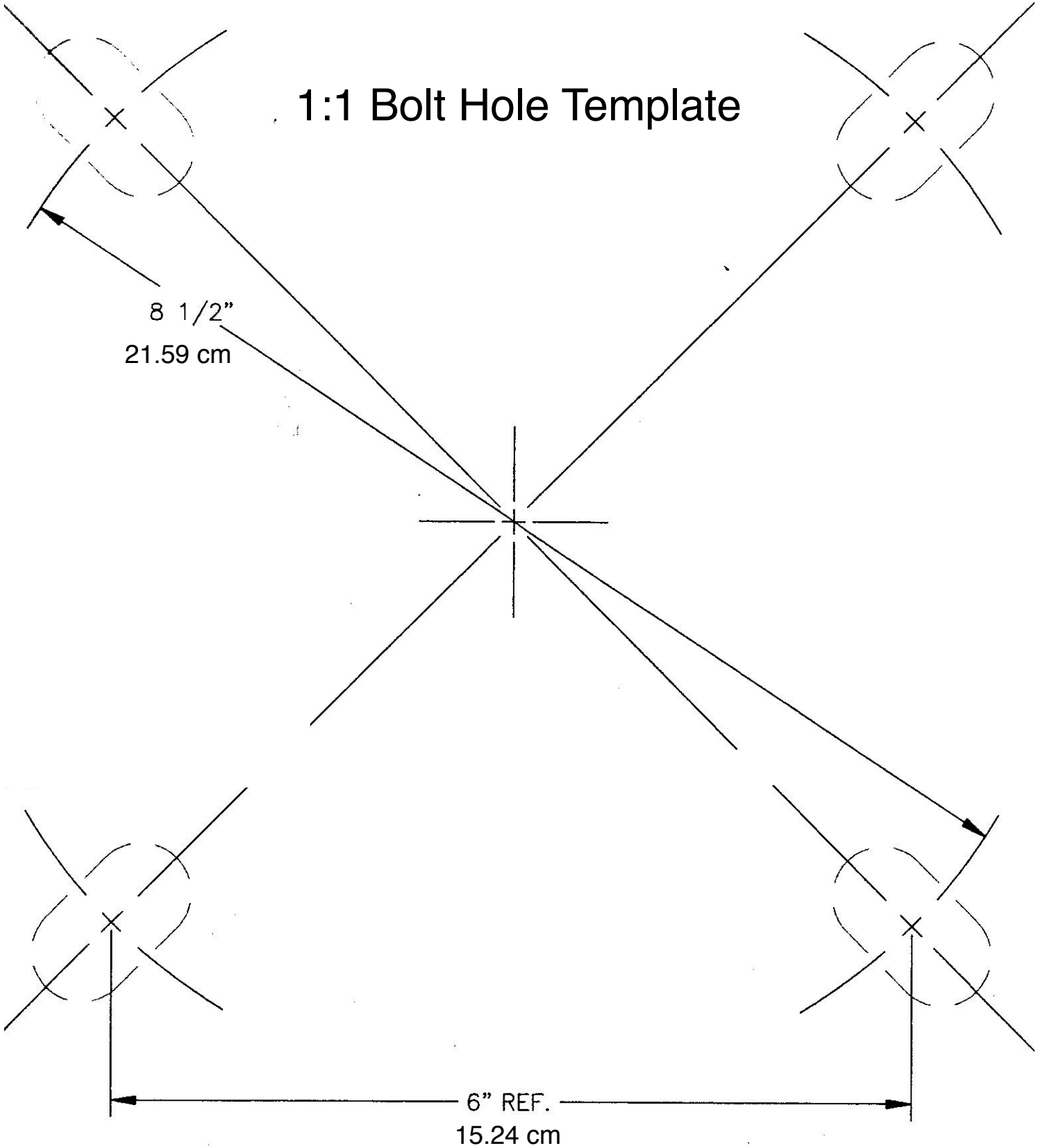


KEEP LINE PARALLEL TO CURB



USE CAUTION WHEN SETTING ANCHOR BOLTS.
BOLTS MUST BE VERTICALLY STRAIGHT AND

1:1 Bolt Hole Template



USE CAUTION WHEN SETTING ANCHOR BOLTS.
BOLTS MUST BE VERTICALLY STRAIGHT AND
CENTERED ON DIMENSIONS SHOWN.